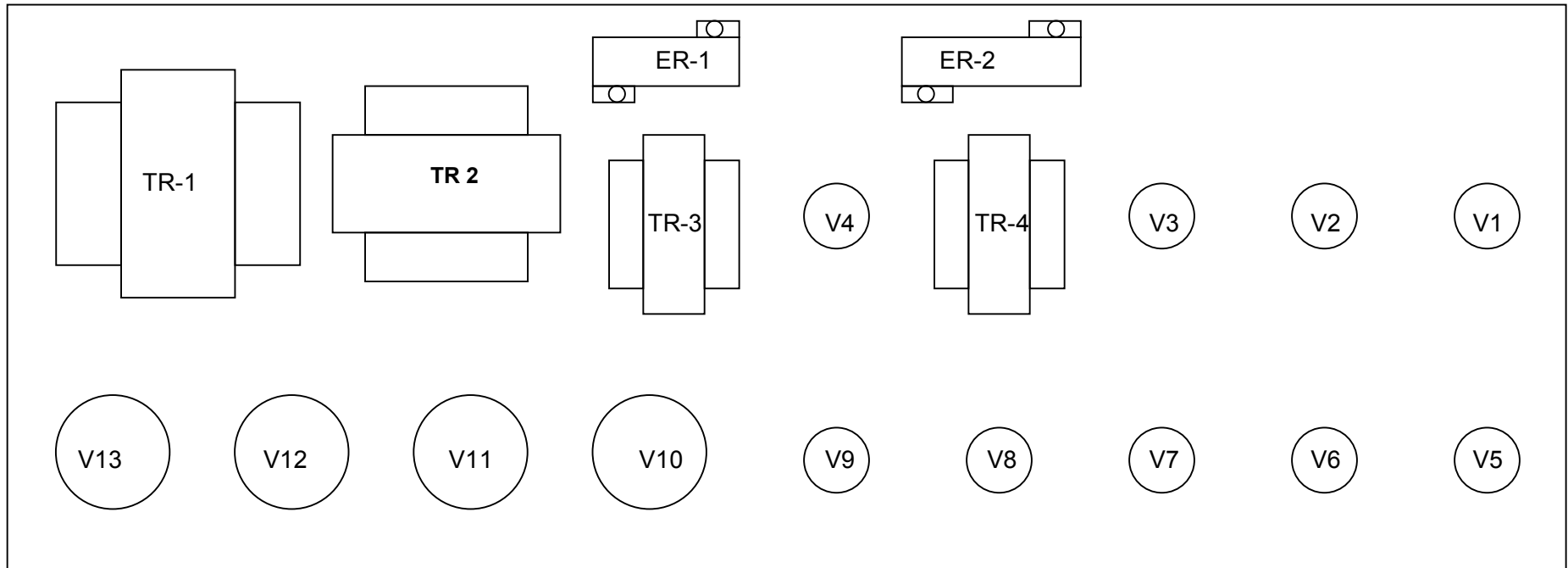


## GUYTRON GT-100 TUBE LAYOUT



REAR PANEL OF AMP



### GT-100 TUBE COMPLIMENT:

**V10, V11, V12, V13 = 6CA7/ EL-34** - (some modification required, but can be substituted with 6550/ KT-88, 6L6/ KT-66)

**V6, V7 = 6BQ5 / EL-84**

**V1, V2, V3, V4, V5, V8, V9 = 12AX7A/ ECC83** - (12AX7 tubes may be substituted with 12AU7, 12AT7 with this circuit)

**CAUTION:** All Tubes, as well as ER-1 and ER-2 normally run hot, DO NOT TOUCH until after allowed to cool down!

# Guytron GT-100 Block Diagram And Signal Flow Chart

